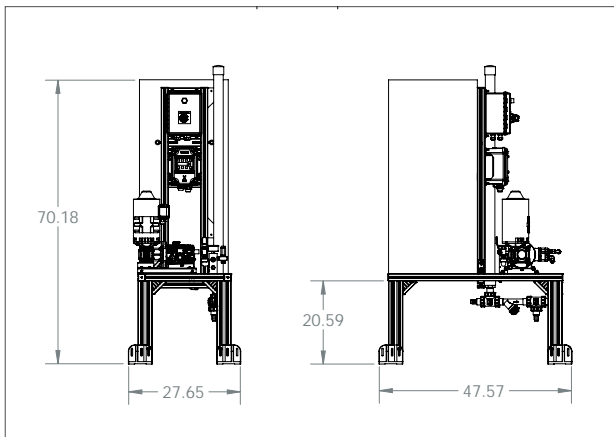


SNOMAX

INJECTION SYSTEM

250L



Description

The **250 LITER SNOMAX INJECTION SYSTEM** is great for small scale snowmaking operations. Fitted with a P200 injection pump and a submersible mixing pump, the 250 L injection system will provide a constant and reliable flow of Snomax solution into your snowmaking water.

Specifications	250 Liter
Approx. Weight	300 lbs
Tank Dimensions (Cylindrical)	48" H x 22" Dia.
Overall Dimensions	70" H x 48" L x 28" W
P200 Metering Pump	Hydracell P200
Capacity	See attached table
Max Pressure	1000 psi
Motor	1 HP, 230V
Electrical	3 PH, 60 Hz, 15 Amp
P400 Metering Pump	N/A
Capacity	See attached table
Max Pressure	1000 psi
Motor	1 HP, 230V
Electrical	3 PH, 60 Hz, 15 Amp
Mix Pump	Little Giant Submersible Pump
Capacity	27 GPM @ 10' H
Motor	1/4 HP, 115V
Electrical	60 Hz, 8.5 Amp

MAXIMUM FLOW (mL/min) AT DESIGNATED PRESSURES

	Drive Frequency (Hz)	100 psi	250 psi	500 psi	1000 psi	Pump RPM	Motor RPM
P200	60	2536	2519	2477	2350	360	1800
	120	5093	5063	4991	4764	720	3600
P400	60	7647	7628	7596	7476	360	1800
	120	15331	15299	15230	14997	720	3600