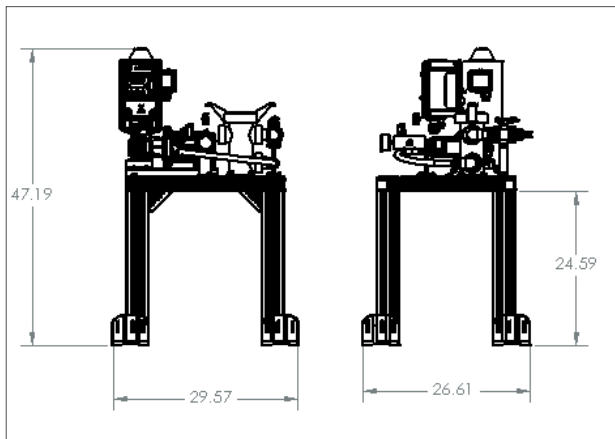


# SNOMAX

## INJECTION SYSTEM

# PUMP SKID P200



## Description

The new **P200 PUMP SKID** is an efficient design used to replace your existing Snomax® injection pump and controls. The system consists of a basket strainer, 3-piston diaphragm metering pump, 25 feet of high-pressure line with an injection tip, low-pressure input piping with fittings, and a variable frequency drive to effortlessly and remotely control the injection pump output. With the small foot print, the P200 Pump Skid is extremely easy to maneuver, install, and maintain. For more information about upgrading your Snomax® injection system with a P200 Pump Skid, contact your nearest Snomax® representative.

Specifications	Pump Skid
Approx. Weight	<b>200 lbs</b>
Tank Dimensions (Cylindrical)	<b>N/A</b>
Overall Dimensions	<b>48" H x 27" L x 30" W</b>
P200 Metering Pump	<b>Hydracell P200</b>
Capacity	<i>See attached table</i>
Max Pressure	<b>1000 psi</b>
Motor	<b>1 HP, 230V</b>
Electrical	<b>3 PH, 60 Hz, 15 Amp</b>
P400 Metering Pump	<b>Hydracell P400</b>
Capacity	<i>See attached table</i>
Max Pressure	<b>1000 psi</b>
Motor	<b>1 HP, 230V</b>
Electrical	<b>3 PH, 60 Hz, 15 Amp</b>
Mix Pump	<b>N/A</b>
Capacity	<b>N/A</b>
Motor	<b>N/A</b>
Electrical	<b>N/A</b>

### MAXIMUM FLOW (mL/min) AT DESIGNATED PRESSURES

	Drive Frequency (Hz)	100 psi	250 psi	500 psi	1000 psi	Pump RPM	Motor RPM
<b>P200</b>	60	2536	2519	2477	2350	360	1800
	120	5093	5063	4991	4764	720	3600
<b>P400</b>	60	7647	7628	7596	7476	360	1800
	120	15331	15299	15230	14997	720	3600